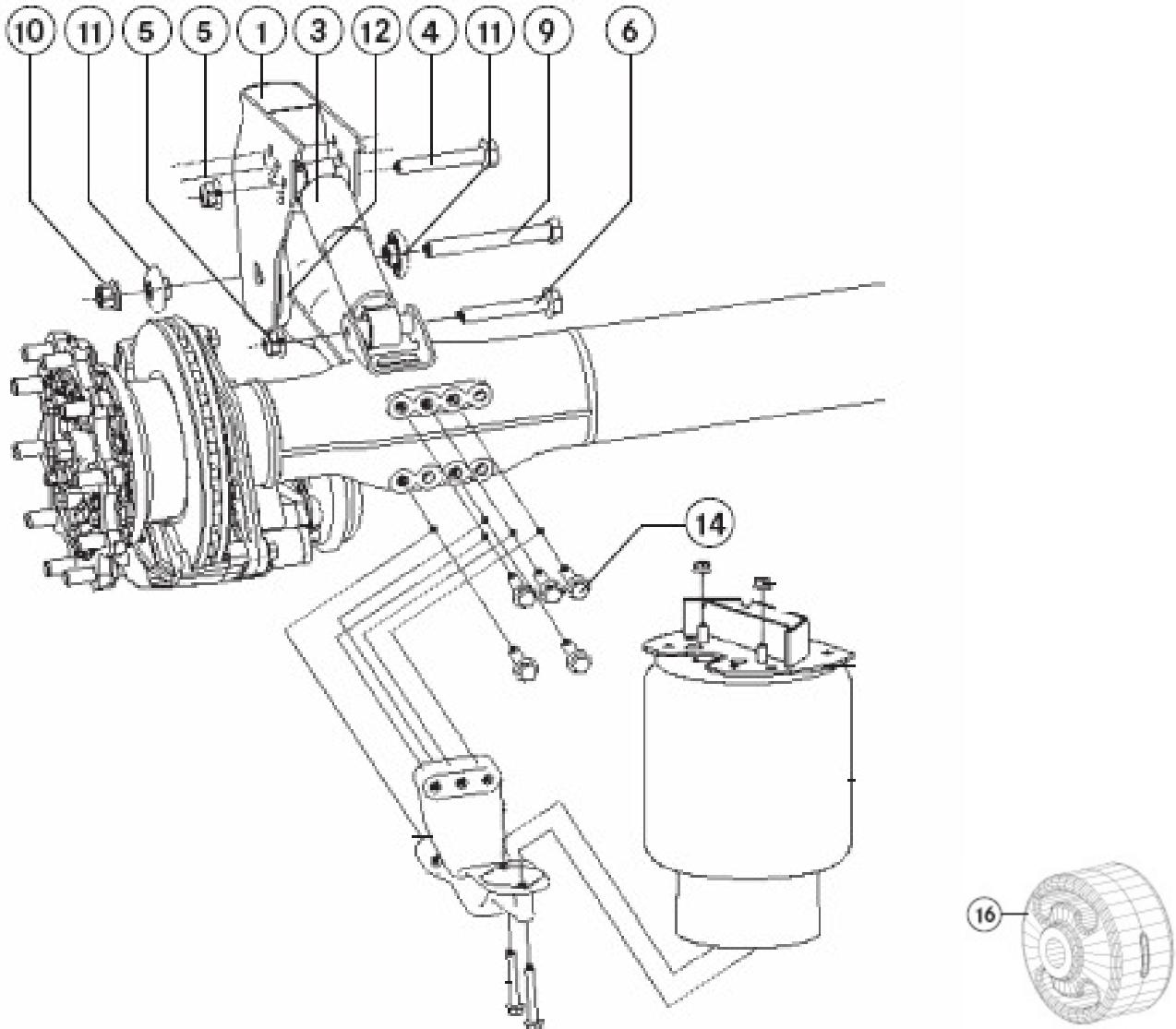


Which components were replaced or repaired?



No.	Designation	Number
1	Bearing bracket	
3	Shock absorber A946 326 05 00	
	Shock absorber A946 326 07 00	
4	Bolt M20x1.5x130 - 10.9	
5	Nut M20	
6	Bolt M20x1.5x100 - 10.9	
9	Bolt M22x1.5x195	
10	Wheel nut	
11	Pressure plate	
12	Anti-wear washer	
14	Bolt	
16	3D bearing bushing	