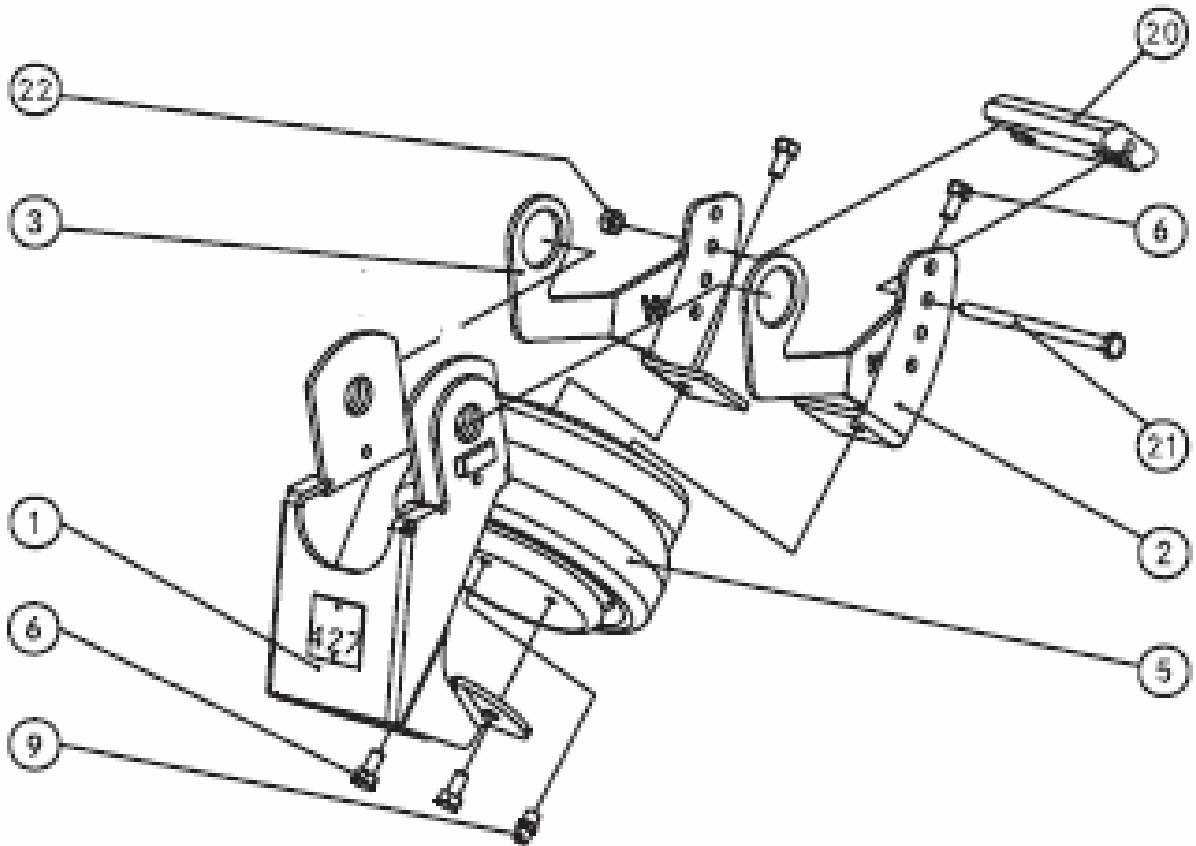


Which components were replaced or repaired?



No.	Designation	Number
1	Axle lift carrier	
5	Bracket, left	
6	Bracket, right	
7	Air bellows	
8	Bolt M10x20 - 8.8	
9	Adapter G 1/4 to M14x1.5	
10	Rubber stop	
11	Bolt M10x160 - 8.8	
12	Nut M10X1,5	