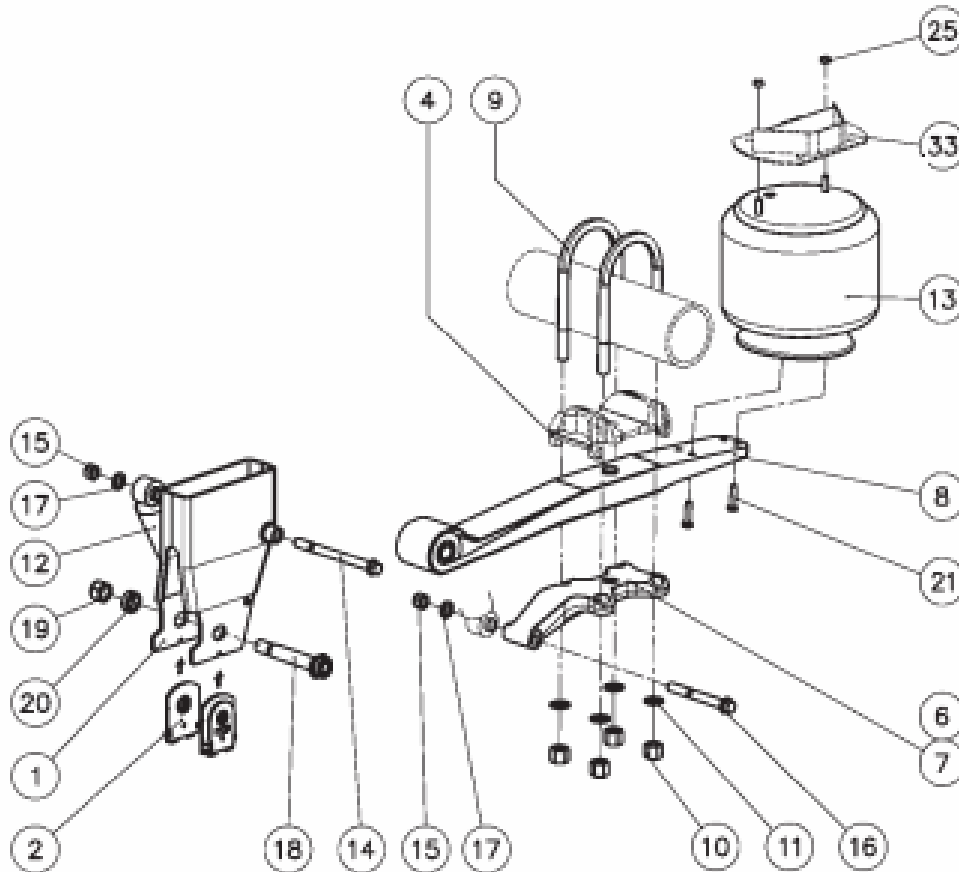


Mercedes-Benz TrailerAxleSystems Appendix 7 underlying Air Spring DLS

Which components were replaced or repaired?



No.	Designation	Number
1	Bearing bracket	
2	Clamping plate, bearing bracket	
4	Spring saddle	
6 & 7	U-bolt plate	
8	Spring control arm	
9	Spring U-bolt	
10	Nut M24x2	
11	Washer M24	
12	Shock absorber	
13	Air bellows	
14	Bolt M20x2x240	
15	Nut M20x2	
16	Bolt M20x2x175	
17	Washer M20	
18	Spring bearing pin M27x186	
19	Spring bearing nut M27	
20	Spring bearing washer	
21	Bolt M12x60	
25	Nut M12x1.75	
33	Mounting console	